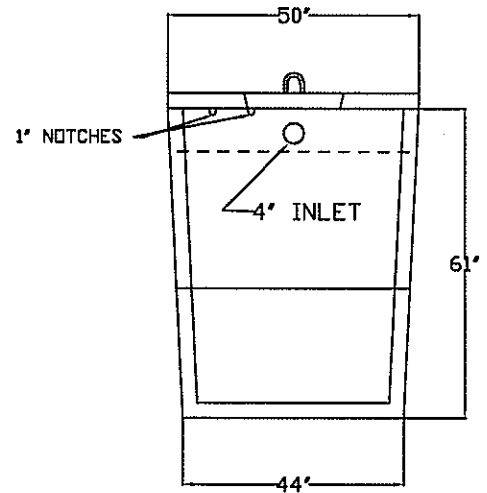


SIDE VIEW



END VIEW

**TANK: CATEGORY 4. 3" 500 AQUAKLEAR TANK 2 COMPARTMENT TANK REINFORCED WITH FIBRILLATED POLYPROPYLENE FIBER. 3" WALLS AND 3" BOTTOM. INLET AND OUTLET RESILIENT CONNECTORS PER ASTM-923-98. CONNECTORS MUST BE USED WITH APPROVED CLAMP. CONNECTOR WILL ACCEPT 4" PVC PIPE.**

**LIDS: 3" LID WITH 1-22"/1-17" ROUND MANHOLE COVER  
8" LID WITH 1-22"/1-17" ROUND MANHOLE COVER  
LID IS REINFORCED WITH GRADE 60 REBAR.**

**TANK & LIDS: 4000 PSI CONCRETE AT 28 DAYS**

**IMPRINTED ON INLET END OF TANK:**

**LEGEND: FSI 500 STATE APPROVAL NUMBER: 01-011-AK5-C4**

**WEIGHTS: TANK ONLY 4,400  
TANK & 3" LID 6,000  
TANK & 8" LID 8,000**

**THIS SEWAGE TREATMENT RECEPTACLE HAS BEEN DESIGNED, CONSTRUCTED AND STRUCTURALLY TESTED IN ACCORDANCE WITH CHAPTER 64E-6.013, FLORIDA ADMINISTRATIVE CODE, (FAC) DATED APRIL 28, 2010**

**DRAWING NOT TO SCALE**

**FLORIDA SEPTIC, INC**

**P.O. BOX 545  
HAWTHORNE, FLORIDA 32640  
(800) 940-8265**

**MODEL:**

**3" 500 AQUAKLEAR TANK**

**REVISED:  
05/01/2011**

**APPROVAL DATE:  
DECEMBER 14, 2005**