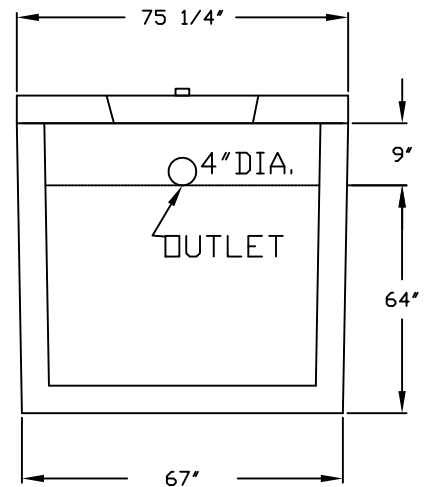


SIDE VIEW



END VIEW

**TANK: CATEGORY 3. 3" 2300 GALLON 1 COMPARTMENT TANK REINFORCED WITH FIBRILLATED POLYPROPYLENE FIBER. 3" WALLS AND 4" BOTTOM. INLET AND OUTLET RESILIENT CONNECTORS PER ASTM-923-98. CONNECTORS MUST BE USED WITH APPROVED CLAMP. CONNECTOR WILL ACCEPT 4" PVC PIPE.**

**LIDS: 4" LID WITH 1-22" ROUND MANHOLE COVER AT EACH END OF TANK  
8" LID WITH 1-22" ROUND MANHOLE COVER AT EACH END OF TANK  
BOTH LIDS ARE REINFORCED WITH GRADE 60 REBAR.**

**TANK & LIDS: 4000 PSI CONCRETE AT 28 DAYS**

**IMPRINTED ON INLET END OF TANK:**

**LEGEND: FSI2300 STATE APPROVAL NUMBER: 01-011-40S-C3**

**WEIGHTS: TANK ONLY 10,450  
TANK W/ 5" LID 14,290  
TANK W/ 8" LID 18,130**

**THIS SEWAGE TREATMENT RECEPTACLE HAS BEEN DESIGNED, CONSTRUCTED AND STRUCTURALLY TESTED IN ACCORDANCE WITH CHAPTER 64E-6.013, FLORIDA ADMINISTRATIVE CODE ( FAC ) , DATED MARCH 22, 2000.**

**DRAWING NOT TO SCALE**

**FLORIDA SEPTIC, INC.**  
**P.O. BOX 545**  
**HAWTHORNE, FLORIDA 32640**  
**( 800 ) 940-8265**

**MODEL:**  
**3" 2300 GAL. TANK**

**REVISED:**  
**5/01/2011**

**APPROVAL DATE:**  
**07/30/2001**