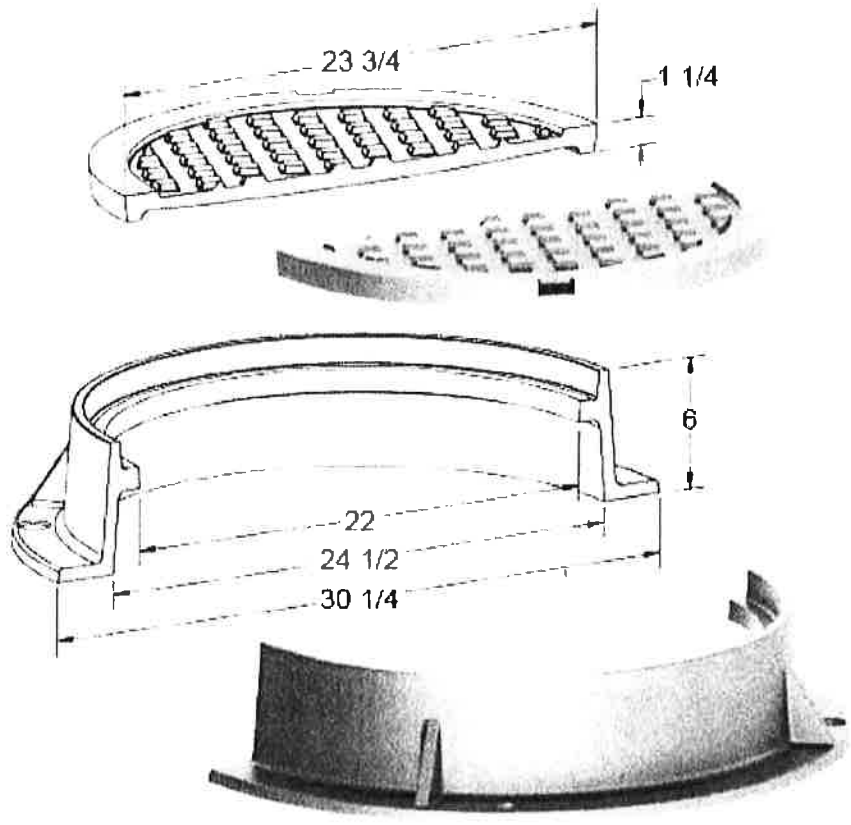


USF 170 RING AND COVER SERIES

- [Back](#)
[Summary](#)
[Drawing](#)
[Lettering](#)
[Add to Project](#)



USF 170-E SHOWN

Available Covers

Cover Type		Load Rating
E	Drawing Lettering	HEAVY DUTY
F	Drawing Lettering	HEAVY DUTY
H	Drawing Lettering	HEAVY DUTY
J		HEAVY DUTY
K	Drawing Lettering	LIGHT DUTY
W	Drawing Lettering	HEAVY DUTY
X	Drawing Lettering	HEAVY DUTY
BJ	Drawing Lettering	HEAVY DUTY
CE	Drawing Lettering	HEAVY DUTY
CM	Drawing Lettering	HEAVY DUTY
DI	Drawing Lettering	HEAVY DUTY
DK	Drawing Lettering	HEAVY DUTY
DY	Drawing Lettering	HEAVY DUTY
DZ	Drawing Lettering	HEAVY DUTY
ED	Drawing Lettering	HEAVY DUTY
E!	Drawing Lettering	HEAVY DUTY
EK	Drawing Lettering	HEAVY DUTY
XB	Drawing Lettering	HEAVY DUTY
EA	Drawing Lettering	HEAVY DUTY
EC	Drawing Lettering	HEAVY DUTY
EU	Drawing Lettering	HEAVY DUTY
EZ	Drawing Lettering	HEAVY DUTY
GK	Drawing Lettering	HEAVY DUTY
GQ	Drawing Lettering	HEAVY DUTY
LI	Drawing Lettering	HEAVY DUTY
LW	Drawing Lettering	HEAVY DUTY
MD	Drawing Lettering	HEAVY DUTY
ME	Drawing Lettering	HEAVY DUTY
MM	Drawing Lettering	HEAVY DUTY
MP	Drawing Lettering	LIGHT DUTY
NB	Drawing Lettering	HEAVY DUTY
NS	Drawing Lettering	HEAVY DUTY
NW	Drawing Lettering	HEAVY DUTY
OL	Drawing Lettering	HEAVY DUTY
WA	Drawing Lettering	HEAVY DUTY
TJ	Drawing Lettering	HEAVY DUTY
F-1	Drawing Lettering	HEAVY DUTY
CE-1	Drawing Lettering	HEAVY DUTY
OD-1	Drawing Lettering	HEAVY DUTY
WS	Drawing Lettering	HEAVY DUTY

Also Available

Grate#	Water Tight	"O" Ring	Double Cover	Design ID	Design Type
3200	E COVER	ALL COVERS EXCEPT K, XB		360	Mud Ring